

Name: _____



VOCABULARY Picture it!

Directions: Write the definition and draw a picture that matches.

wigwam

desperate

miserable

Name: _____



VOCABULARY Picture it!

Directions: Write the definition and draw a picture that matches.

vanished

stammer

insisted

Name: _____

Match It Up!



	to demand that something happen
	to speak with pauses
	A round tent that was used by Native Americans
	very unhappy
	having an urgent need; extremely bad
	to quickly disappear from sight

wigwam

desperate

miserable

vanished

stammer

insisted

Name: _____



VOCABULARY Picture it!

Directions: Write the definition and draw a picture that matches.

thrift

Blank rounded rectangular box for drawing a picture related to the word 'thrift'.

Two horizontal lines for writing the definition of 'thrift'.

nudge

Blank rounded rectangular box for drawing a picture related to the word 'nudge'.

Two horizontal lines for writing the definition of 'nudge'.

outgrew

Blank rounded rectangular box for drawing a picture related to the word 'outgrew'.

Two horizontal lines for writing the definition of 'outgrew'.

Name: _____



VOCABULARY Picture it!

Directions: Write the definition and draw a picture that matches.

limp

leap

shove

Name: _____

Match It Up!



	second hand, used
	something becomes too small
	to jump with a lot of force or to a great height
	to gently push or lightly touch
	to walk with difficulty
	to push someone or something roughly

thrift

nudge

outgrew

limp

leap

shove

Name: _____



VOCABULARY Picture it!

Directions: Write the definition and draw a picture that matches.

feasted

strut

orchard

Name: _____



VOCABULARY Picture it!

Directions: Write the definition and draw a picture that matches.

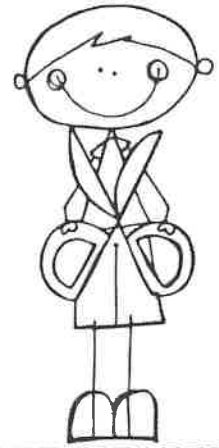
deserve

graceful

maniac

Name: _____

Match It Up!



	to proudly show what you can do
	to eat a lot of food
	someone who behaves in a wild way
	moving in a smooth and attractive way
	a place where people grow fruit trees
	to say that someone should be given something

feasted

strut

orchard

deserve

graceful

maniac

Name: _____



VOCABULARY Picture it!

Directions: Write the definition and draw a picture that matches.

morsel

cackled

munched

Name: _____



VOCABULARY Picture it!

Directions: Write the definition and draw a picture that matches.

thunderous

adventure

crisp

Name: _____

Match It Up!



	an exciting experience
	very loud, like thunder
	slice or crumb
	loud chatter
	firm, dry
	chew loudly, crunch

morsel

cackled

munched

thunderous

adventure

crisp

Name: _____



VOCABULARY Picture it!

Directions: Write the definition and draw a picture that matches.

bundle

spattered

scramble

Name: _____



VOCABULARY Picture it!

Directions: Write the definition and draw a picture that matches.

lantern

hibernate

lopsided

Name: _____

Match It Up!



	leaning to one side
	sleeping through the winter
	wrapped tightly in blankets
	a light covering by glass that can be carried by a handle
	climb over
	speckled with small drops

bundle

spattered

scramble

lantern

hibernate

lopsided

Name: _____



VOCABULARY Picture it!

Directions: Write the definition and draw a picture that matches.

honored

blazing

shimmer

Name: _____



VOCABULARY Picture it!

Directions: Write the definition and draw a picture that matches.

comfort

shame

disappointed

Name: _____

Match It Up!



	respected
	a feeling you have when you know you did something wrong
	feeling sad because something did not turn out how you expected
	to help a person feel better
	burning, flaming
	gleaming, flickering light

- honored
- blazing
- shimmer
- comfort
- shame
- disappointed

Name: _____



VOCABULARY Picture it!

Directions: Write the definition and draw a picture that matches.

alert

cautious

jammed

Name: _____



VOCABULARY Picture it!

Directions: Write the definition and draw a picture that matches.

courages

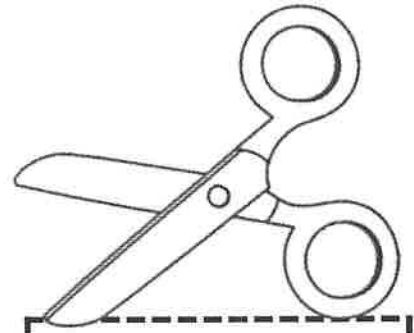
gusted

volunteered

Name: _____

Match It Up!

	careful about avoiding danger or risk
	very brave
	to blow or rush in gusts
	able to think clearly
	someone who does something without being forced
	to fill a place completely so that it becomes slow or stopped



alert

cautious

jammed

courageous

gusted

volunteer

Name: _____



VOCABULARY Picture it!

Directions: Write the definition and draw a picture that matches.

freedom

protest

leader

Name: _____



VOCABULARY Picture it!

Directions: Write the definition and draw a picture that matches.

equality

peace

march

Name: _____

Match It Up!



	someone who guides other people; someone who leads a group
	when there is no war or fighting
	the power to do what you want
	to walk with a large group of people who are supporting something
	to show that you don't approve of something at a public event
	having the same rights

freedom

protest

leader

equality

peace

march

Name: _____



VOCABULARY Picture it!

Directions: Write the definition and draw a picture that matches.

fret

imagine

pounced

Name: _____



VOCABULARY Picture it!

Directions: Write the definition and draw a picture that matches.

scattered

splendid

trudge

Name: _____

Match It Up!



	very impressive
	to jump on something quickly
	walk heavily and slowly
	to think or create in your mind
	thrown around randomly
	worry

fret

imagine

pounced

scattered

splendid

trudge

Name: _____



VOCABULARY Picture it!

Directions: Write the definition and draw a picture that matches.

ratty

tuition

vanish

Name: _____



VOCABULARY Picture it!

Directions: Write the definition and draw a picture that matches.

negotiating

wasteful

rescue

Name: _____

Match It Up!



	to disappear entirely without a clear explanation
	using something or spending money carelessly
	to save someone or something from danger or harm
	a sum of money charged for receiving teaching
	in very bad condition
	trying to reach an agreement

ratty

tuition

vanish

negotiating

wasteful

rescue